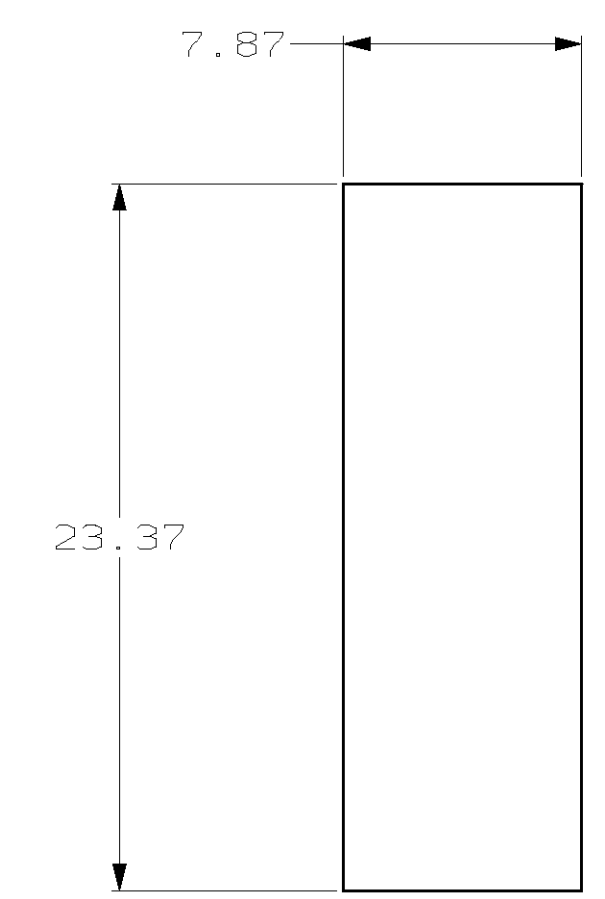
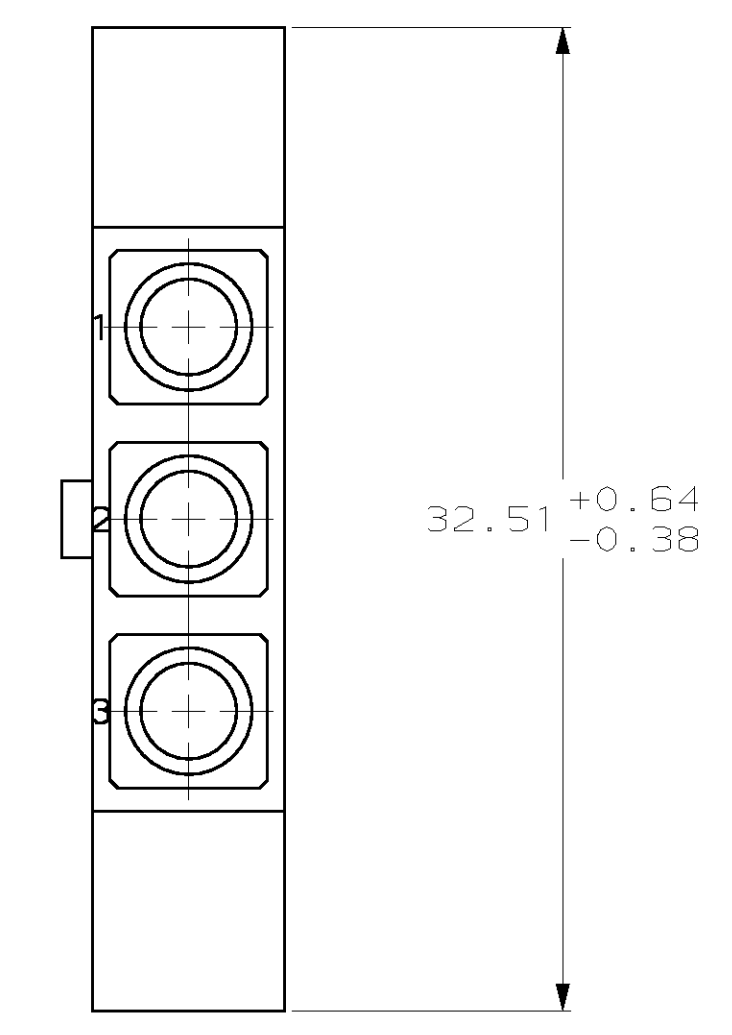
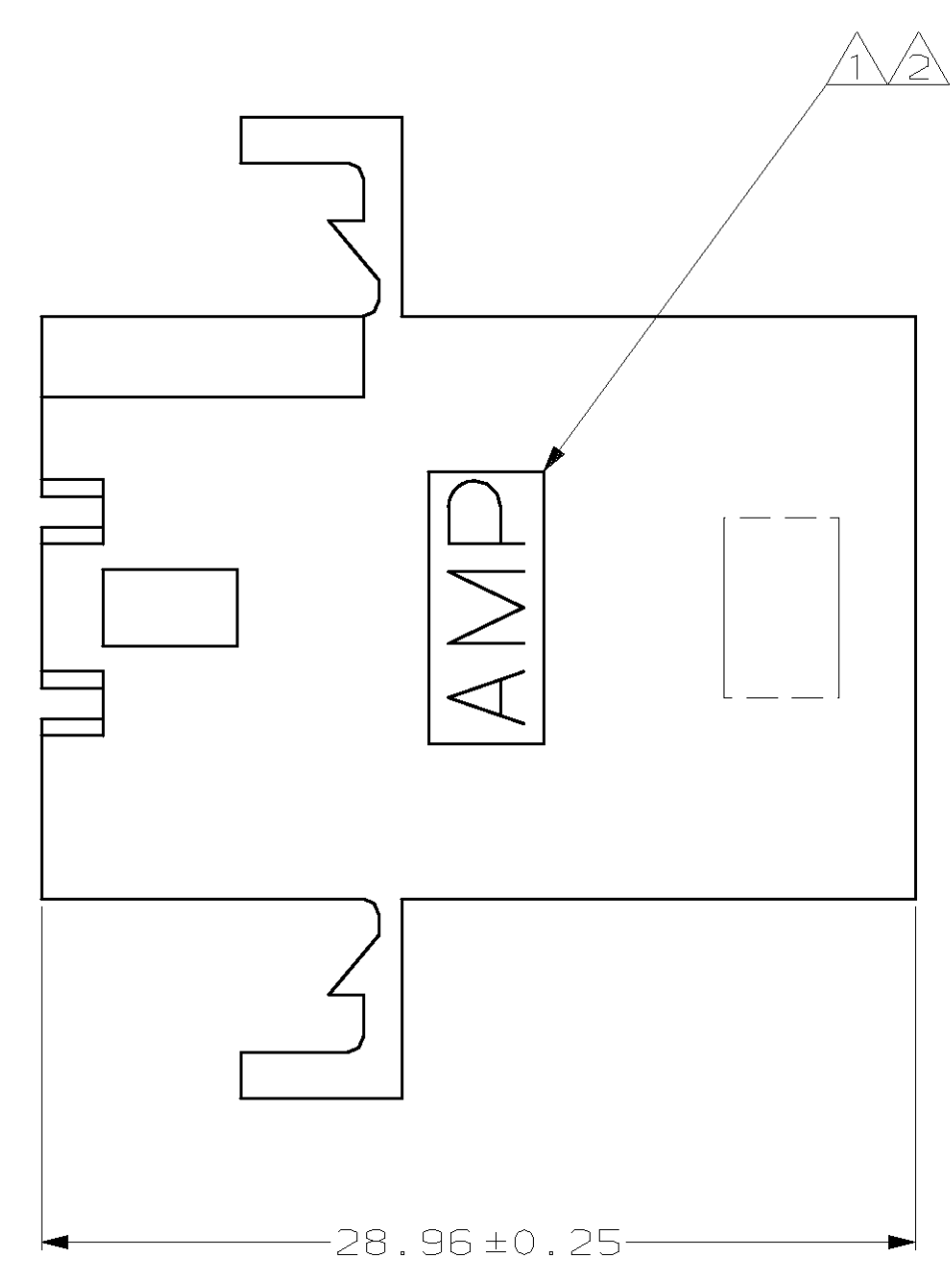
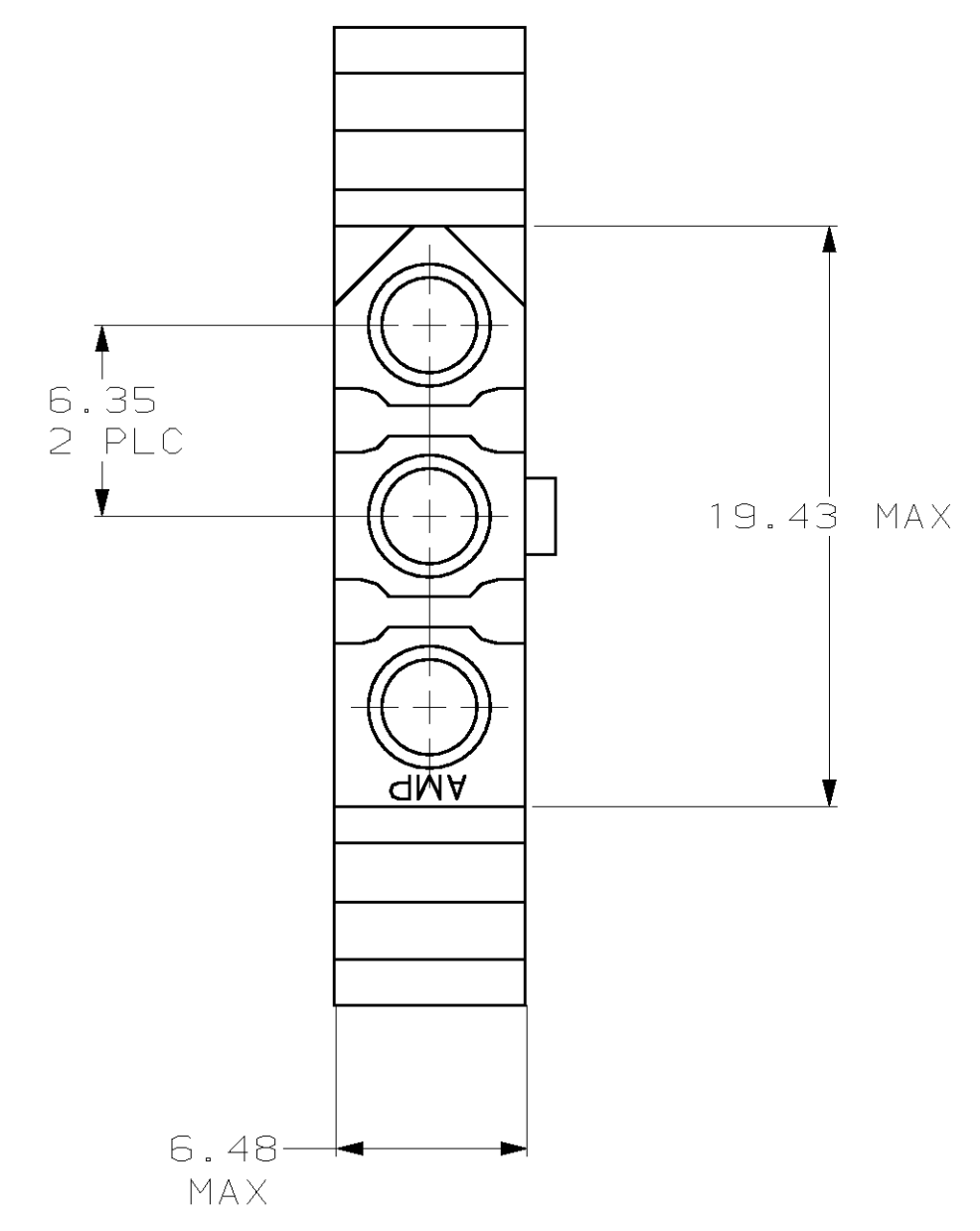
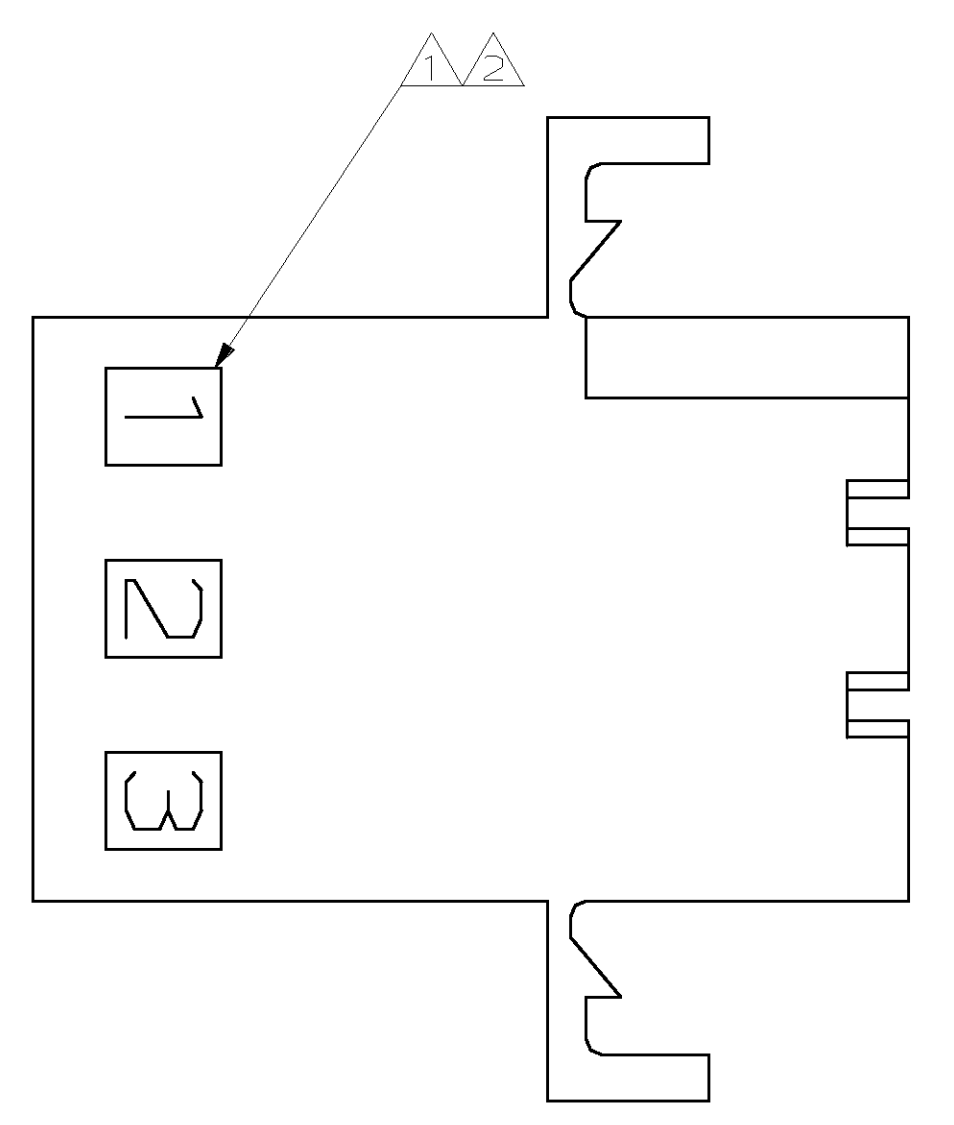
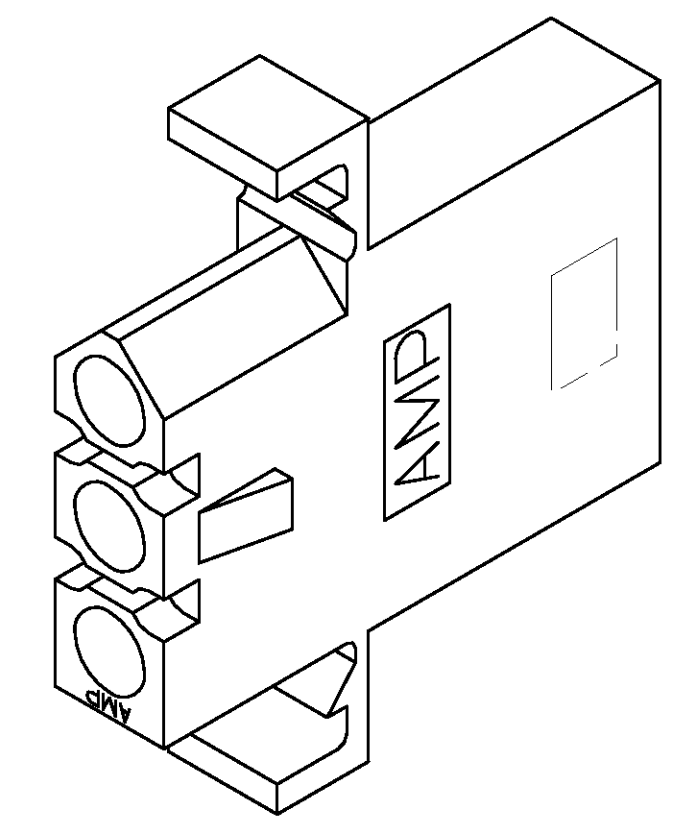


| LOC | QTY | REV | DATE     | BY | APPV |
|-----|-----|-----|----------|----|------|
| CM  | 53  | E   | 11-04-97 | KW | RS   |

REVISIONS  
 1 AMP LOGO AND CIRCUIT ID NUMBERS LOCATED ON THIS SURFACE.  
 2 OPPOSITE SIDE OPTIONAL.



RECOMMENDED CUT OUT FOR 1.58 MAX THICK PANEL



3-DIMENSIONAL MODEL NTS

| MM   | IN   | MM    | IN    |
|------|------|-------|-------|
| 6.35 | .250 | 32.51 | 1.280 |
| 1.58 | .062 | 28.96 | 1.140 |
| 0.64 | .025 | 23.37 | .920  |
| 0.38 | .015 | 19.43 | .765  |
| 0.25 | .010 | 7.87  | .310  |
| 0.13 | .005 | 6.48  | .255  |
| MM   | IN   | MM    | IN    |

CONVERSION TABLE

**METRIC**

770269-1  
PART NUMBER

THIS DRAWING IS A CONTROLLED DOCUMENT.

|                                    |  |   |          |
|------------------------------------|--|---|----------|
| DIMENSIONS: mm                     | TOLERANCES UNLESS OTHERWISE SPECIFIED: | DWN: K. WHITAKER                              | 11-04-97 |
| Ø                                  | PLC ± .013                             | CHK: R. SWING                                 | 11-04-97 |
| MATERIAL: NYLON, UL 94V-2, NATURAL | FINISH: -                              | APVD: K. CORLE                                | 11-04-97 |
| CUSTOMER DRAWING                   |  | AMP Incorporated<br>Harrisburg, PA 17105-3608 |          |

RECEPTACLE, PANEL MOUNT, 3 CIRCUIT, .250 PIN AND SOCKET

SIZE: A1 SCALE CODE: C DRAWING NO: 007799-770269 SHEET 1 OF 1 REV F